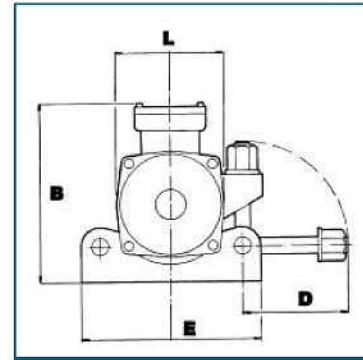
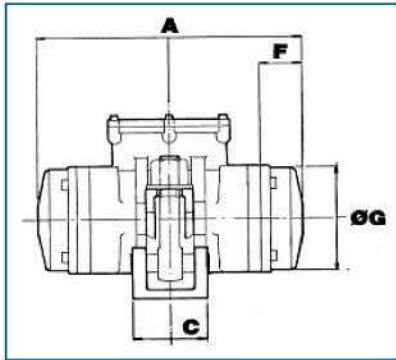


AFC Rotary Electric Series

PERFORMANCE DATA			
MODEL NUMBER		AFC 36/1600	AFC 36/3000
Force Output	lbs	1870	3168
Frame Size		AF 10C	AF 15C
Speed	<i>rpm</i>	3600	3600
Weight	<i>lbs</i>	44	63
Input Power	<i>H.P.</i>	1.15	1.5
Amp Draw 230 V	<i>amps</i>	2.2	3.0
Amp Draw 460 V	<i>amps</i>	1.1	1.5
Amp Draw 48 V	<i>amps</i>	12	16
Lug Bracket Model		M 23	M 23
Bearing Type		6307	NJ 306
Bearing Life <i>(at max force)</i>	<i>hours</i>	1450	3100



DIMENSIONS								
MODEL	A	B	C	D	E	F	G	L
AFC/36/1600	14.02"	8.58"	3.31"	5.71"	9.45"	3.23"	4.80"	4.96"
AFC/36/3000	15.83"	8.86"	3.31"	5.71"	9.45"	4.17"	5.28"	5.5"

Mounting is totally interchangeable with the DRV family of Concrete Roller Vibrators



CHICAGO VIBRATOR PRODUCTS
642 NEWPORT AVENUE
WESTMONT, IL 60559
630-920-9411 800-842-7284
WWW.CHICAGOVIBRATOR.COM
solutions@chivib.com

Same performance and same bearing life as the VE3/36/2800 Form Vibrator

