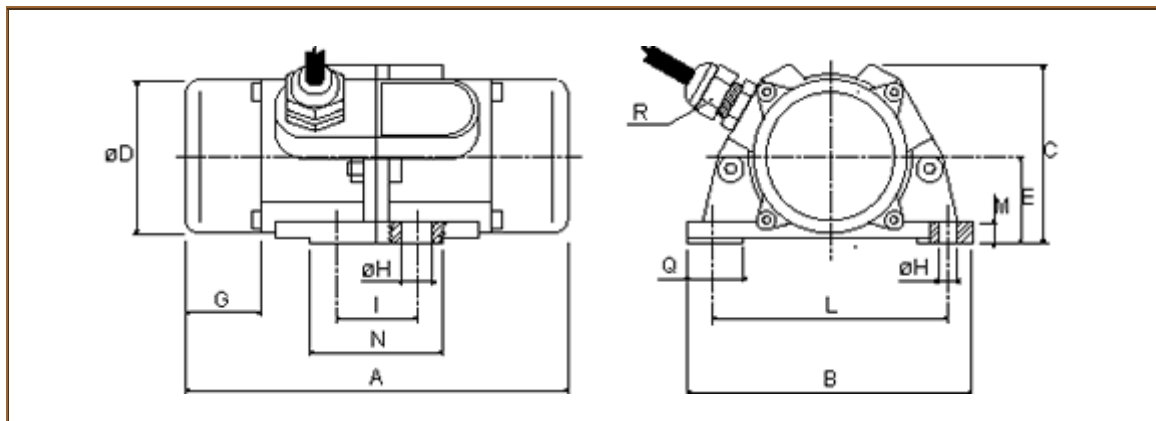




AMV Series Rotary Electric Vibrator

# OF WEIGHTS EACH END	CENTRIFUGAL FORCE			
	POUNDS		KILOGRAMS	
	50 Hz	60 Hz	50 Hz	60 Hz
1	7.7	11.5	3.64	5.2
2	16.1	23	7	10
3	23.8	34	10.5	15
4	32.2	46	14.7	21
5	39.9	57	18.2	26
6	48	68	21	30



OVERALL DIMENSIONS						MOUNTING DIMENSIONS								WT
INCHES						INCHES								
A	B	C	D	E	G	H	I	L	M	N	P	Q	R	LB
5.75	4.4	2.5	2.35	1.4	1.25	4x0.28	1.3	3.6	0.35	2.2	1.1	0.9	9	3.75


ChicagoVibratorProducts
Flow and Compaction

1-800-842-7284
 1-630-920-9411 Outside US & Canada
www.chicagovibrator.com