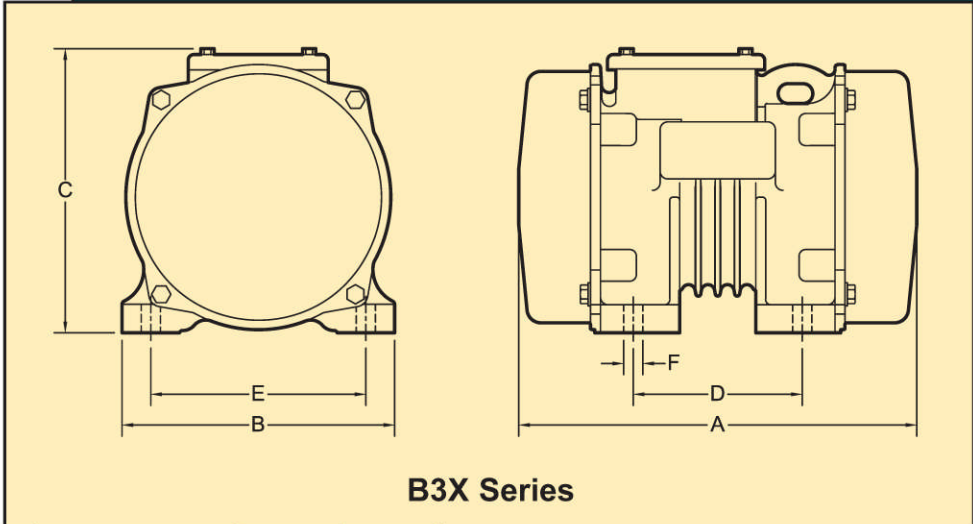


# Hazardous Location Electric Vibrator

## FEATURES:

- UL approved  
for Class II Group E, F & G,  
Division 1 & 2
  - 1000 Force lb – 1750 RPM
  - 220 volt / 440 volt –  
3 phase
  - Ductile iron  
bearing housings
  - Roller bearings  
designed for vibration
  - High temperature  
class H windings
- 
- Cost effective  
solutions.
  - Expert technical  
assistance.
  - Complete service  
and support.



## DIMENSIONS (Millimeter)

Model	A	B	C	Bolt Pattern		Bolt Size	Weight kg
				D	E	F	
B3X-1000-1A-4	295	197	211	127	152	12	20.0

## PERFORMANCE DATA

Model	kg cm	RPM	Force (N)	Amps		watts
				190 Volt	380 Volt	
B3X-1000-1A-4	13.24	1460	3097	2.30	1.20	246

**CHICAGO VIBRATOR PRODUCTS 1-800-842-7284 USA & CANADA  
1-630-920-9411 INTERNATIONAL**