

BV Long Piston Vibrator

MODEL	Frequency (VPM)				Force (LBS)				Air Consumption (CFM)				Db
	20 psi	40 psi	60 psi	80 psi	20 psi	40 psi	60 psi	80 psi	20 psi	40 psi	60 psi	80 psi	
BV-225-LONG	1650	1950	2200	2400	513	761	969	1153	2.75	4.5	5.5	6.25	97
BV-312-LONG	1800	2550	2925	3500	532	1068	1405	2011	5.5	9	11	13	109
BV-350-LONG	1370	1900	2100	2400	933	1794	2192	2863	5.4	9.2	12	13.4	123

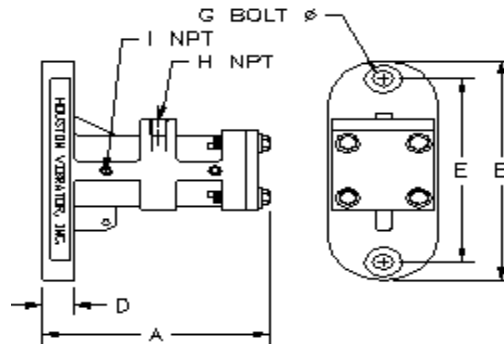


FIGURE 1

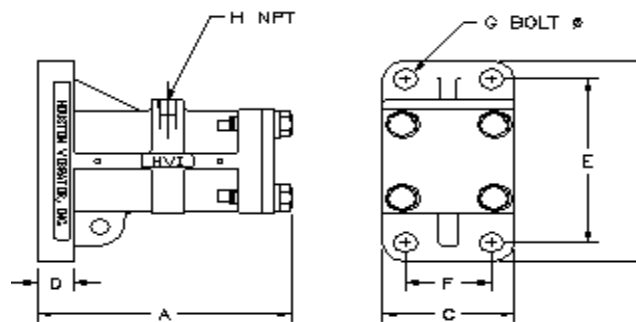


FIGURE 2

MODEL	FIG	A	B	C	D	E	F	G	H	WT Lbs
BV-225-LONG	1	10.50	9.00	2.50	.75	7.50	1.75	.62	1/4	28
BV-312 LONG	2	9.62	9.50	5.00	1.50	7.75	3.25	.88	3/8	53
BV-350 LONG	2	9.62	9.50	5.00	1.50	7.75	3.25	.88	3/8	53