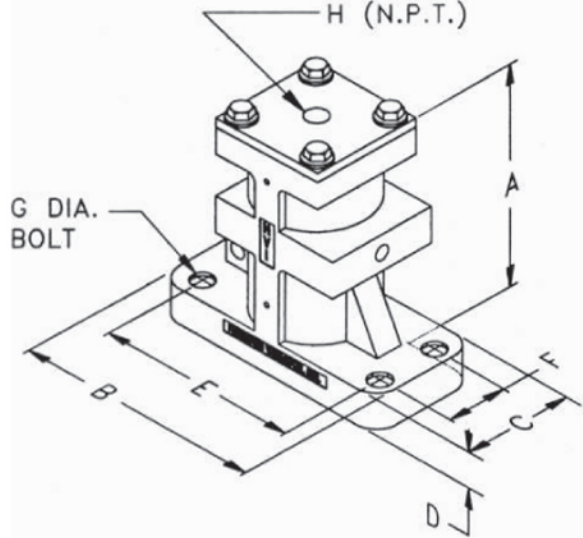
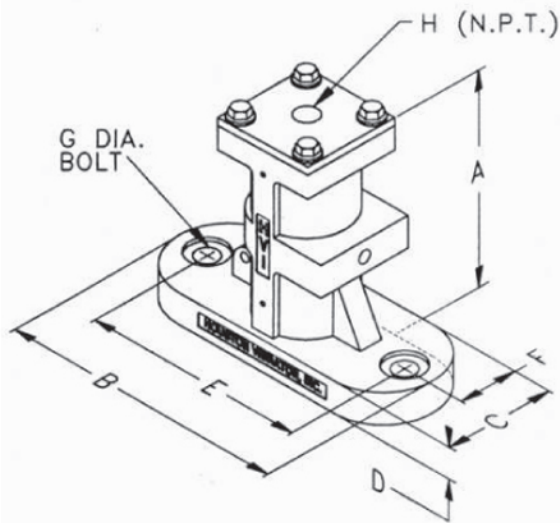


MODELS BV-112 THRU BV-225

MODELS BV-312 THRU BV-425



DIMENSIONS

MODEL	A	B	C	D	E	F	G	H
BV-112 SI	3-3/4"	4-1/2"	2"	1/2"	3-1/2"	1"	1/2"	1/4"
BV-150 SI	5-1/2"	6"	2-1/2"	3/4"	4-1/2"	1-1/4"	1/2"	1/4"
BV-175 SI	7-1/4"	9"	3-1/2"	1"	7-1/2"	1-3/4"	5/8"	1/4"
BV-225 SI	7-1/4"	9"	3-1/2"	1"	7-1/2"	1-3/4"	5/8"	1/4"
BV-312 SI	9-5/8"	9-1/2"	5"	1-3/8"	7-3/4"	3-1/4"	7/8"	3/8"
BV-350 SI	9-5/8"	9-1/2"	5"	1-3/8"	7-3/4"	3-1/4"	7/8"	3/8"
BV-425 SI	12"	14"	6"	1-1/2"	12"	4"	1"	1/2"

SI SERIES FORCE OUTPUT (FT-LB)

MODEL	30 PSI	40 PSI	50 PSI	60 PSI	70 PSI	80 PSI	90 PSI
BV-150 SI	5	7	8	10	12	13	15
BV-175 SI	7	10	13	15	18	20	23
BV-225 SI	14	19	24	29	34	38	43
BV-312 SI	41	54	68	82	95	108	122
BV-350 SI	60	83	105	120	143	165	185
BV-425 SI	153	198	252	305	351	396	448

SI SERIES AIR CONSUMPTION (SCF/STROKE)

MODEL	20 PSI	40 PSI	60 PSI	80 PSI
BV-112 SI	0.0007	0.0010	0.0014	0.0018
BV-150 SI	0.0015	0.0023	0.0031	0.0040
BV-175 SI	0.0020	0.0031	0.0043	0.0054
BV-225 SI	0.0033	0.0052	0.0071	0.0090
BV-312 SI	0.0089	0.0140	0.0191	0.0241
BV-350 SI	0.0111	0.0175	0.0239	0.0302
BV-425 SI	0.0188	0.0295	0.0403	0.0510