

BV Impacting Series Piston Vibrator

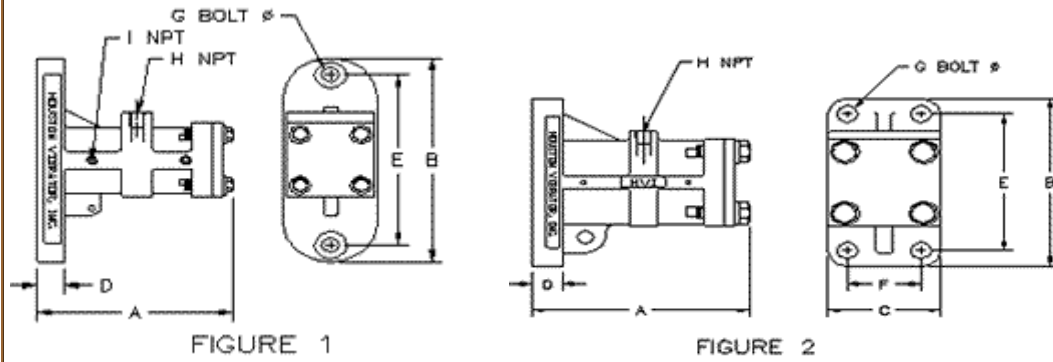


BV Series Piston Vibrators provide the powerful linear force needed to dislodge tough material flow problems in bins, hoppers, pipes, trucks, and more. Precision machined bodies and pistons ensure dependable service and long life. When installed properly, BV Series Piston Vibrators are virtually maintenance free.

Impacting (IMP) models for the most powerful force, and Air Cushioned (AC) models for quiet operation are available.

PERFORMANCE DATA								
MODEL	Frequency [VPM]		Force [LBS]		Air Consumption [CFM]		Noise Level [Db]	
	IMP	AC	IMP	AC	IMP	AC	IMP	AC
BV-112	7300	4900	189	85	3.6	2.5	113	86
BV-150	5200	3000	361	112	5.0	4.1	113	86
BV-225	4000	2400	640	205	6.8	7.0	116	92
BV-225-LONG	3700	2800	942	594	10.5	6.25	114	106
BV-312	3300	1825	1558	456	11.5	13.0	109	88
BV-350	3450	2450	2073	1008	15.0	14.0	114	96
BV-350-LONG	2400	--	2863	--	13.4	--	123	--
BV-425	2250	1500	2229	959	14.8	14.0	119	92
BV-650	1725	1225	9085	4079	86.69	56.83		
BV-825	--	1050	--	7923	--	117.71	--	

DIMENSIONAL DATA



MODEL	FIG	A	B	C	D	E	F	G	H	WT [Lbs]
BV-112	1	3.75	4.5	2.0	0.5	3.5	1.0	0.5	1/4	4
BV-150	1	5.5	6.0	2.5	0.75	4.5	1.25	0.5	1/4	9
BV-225	1	7.25	9.0	3.5	1.0	7.5	1.75	.63	1/4	17
BV-225-LONG	1	10.5	9.0	2.5	1.0	7.50	1.75	.63	1/4	28
BV-312	2	9.63	9.5	5.0	1.5	7.75	3.25	.88	3/8	53
BV-350	2	9.63	9.5	5.0	1.5	7.75	3.25	.88	3/8	53
BV-350 LONG	2	10.63	9.5	5.0	1.5	7.75	3.25	.88	3/8	73
BV-425	2	12.0	14.0	6.0	1.5	12.0	4.0	1.0	1/2	98
BV-650	2	20.0	14.0	10.0	2.0	11.0	7.0	1.5	1/2	390
BV-825	2	22.5	16.5	12.0	2.25	13.0	8.5	2.0	3/4	600


ChicagoVibratorProducts
Flow and Compaction
 1-800-842-7284
 1-630-920-9411 Outside US & Canada
www.chicagovibrator.com