

ENGINEERING DATA SHEET

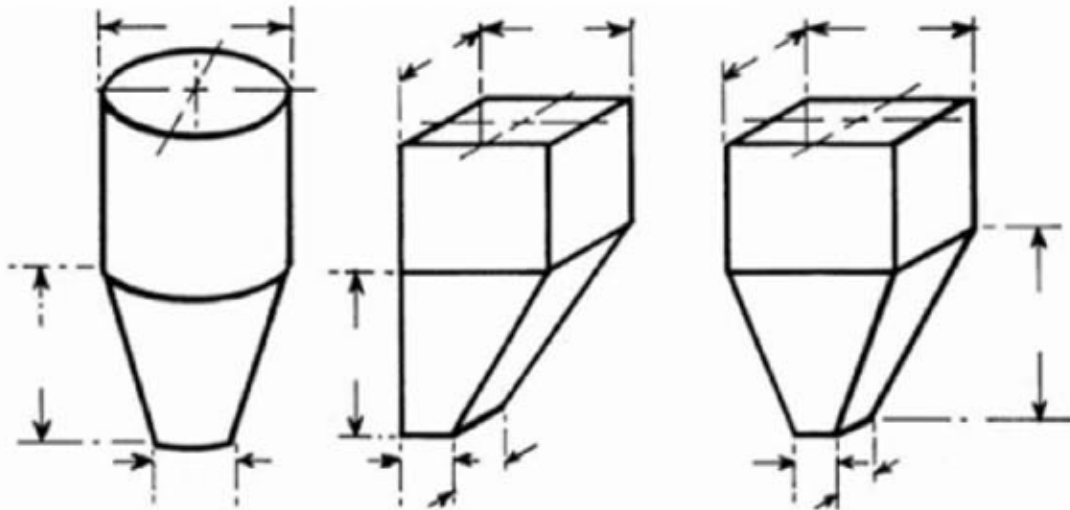
Name _____ Ph _____ Email _____

Company _____ Address _____

City _____ State _____ Zip _____

Try to give us as much information as possible. The more information we have, the more accurate our recommendation.

BIN: Show on sketch where the problem is



BIN, CHUTE: Wall Thickness _____ DENSITY: _____ LBS/CU.FT.

MATERIAL NAME: _____ MOISTURE CONTENT: _____ TEMP: _____

MATERIAL CONDITION: (Powder, Granular, etc.) OTHER INFORMATION _____

HOPPER DISCHARGES INTO:

ROTARY AIR LOCK VIBRATORY FEEDER BELT CONVEYOR

OTHER: _____

POWER SUPPLY AVAILABLE:

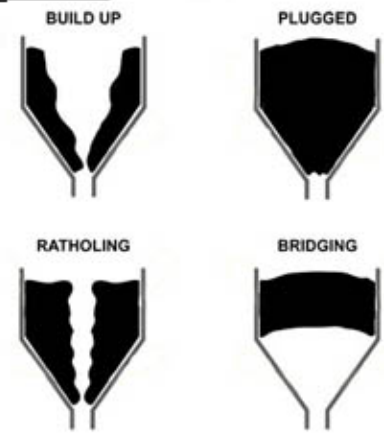
AIR: PSI _____ CFM FILTERED DRY

ELECTRIC: 115/1/60 230/1/60 236-460/3/60

ELECTRICAL REQUIREMENTS:

NEMA 12-DUST TIGHT NEMA 4- DUST AND WATER TIGHT NEMA 7-EXPLOSION PROOF

NEMA 9-HAZARDOUS LOCATION-CLASS II, DIVISION 1 2, GROUP(S): E F G



CIRCLE CLOSEST PICTURE OF PROBLEM

Fax to: 1-866-247-7538

Email to: Solutions@chivib.com

WWW.CHICAGOVIBRATOR.COM

1-800-842-7284