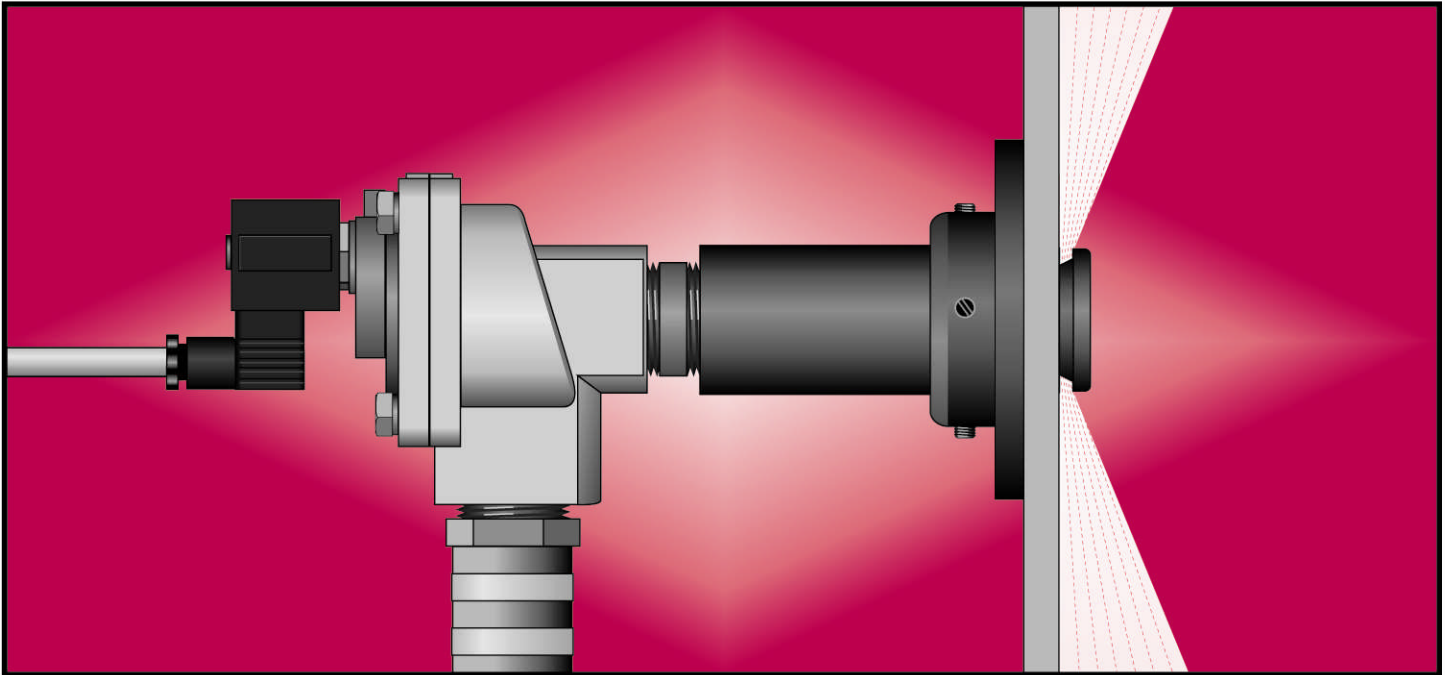


The BIN-BUTLER Aeration System



PERFORMANCE DATA

Model #	Material	Mount	Discharge (in)	Air Pressure (PSI)		Area of Influence (Diameter, Ft)		Air Consumption (CFM)*	
BB-075	Carbon or Stainless Steel	Coupling	3/4	40	60	2	3	0.3	0.5
				80	100	4	5	0.7	0.9
BB-200	Carbon or Stainless Steel	Coupling or Flange	2	40	60	2	4	0.6	1.2
				80	100	6	8	1.8	2.4

* CFM Measured at one PPM (Pulse per Minute)

Innovation Summary !

- Restores 100% capacity.
- Safe, non-damaging to vessel.
- Fast, simple installation from outside the vessel.
- Injector Head Warranty – 1-million cycles.
- Won't jam or clog regardless of material.

- Heavy-duty, durable, maintenance-free design.
- Mounts to any structure or surface.
- Operates in temperatures to 550°F.
- Precision machined, high-grade carbon steel or all Stainless components.
- Long, trouble-free, continuous duty service.
- Instant, controlled "FIFO" flow.
- Operating Pressure 40 PSI – 125 PSI.

Applications from A – Z !

Adipic Acid; Bentonite; Cement; Diatomaceous Earth; E. P. Dust; Flour; Grain; Herbicides; Iron Ore; Jute Products; Kaolin; Limestone; Meal; Nuts & Seeds; Ore Preparations; Pharmaceuticals; Quartz; Resin; Salt; Titanium Dioxide; Uranium; Vermiculite; Walnut Shells; Xanthene Dyes; Yellow Pine Chips; Zinc Oxides.

CHICAGO VIBRATOR PRODUCTS 1-800-842-7284 USA & CANADA
1-630-920-9411 INTERNATIONAL