



IDLER ROLL DATA SHEET

To request a quotation on cost saving replacement rolls, just complete this form and fax to:
1-630-920-1395 fax

Name _____

Company _____

Address _____

City _____ State/Province _____ Zip/Postal Code _____

Country _____

Phone _____ Fax _____

Email _____

Present Idler Manufacturer _____

Roll Preference:

EXALON Polyethylene

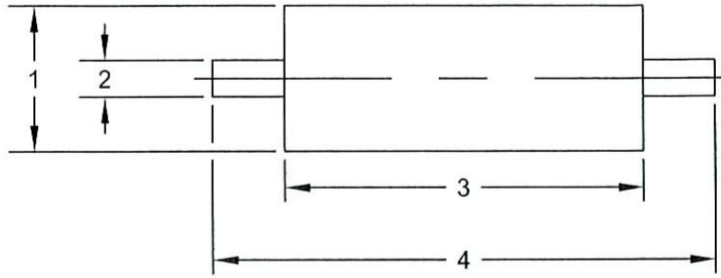
Steel

After completing the information on page 2, fax both pages (cover sheet not needed) to 1-630-920-1395.

We'll respond promptly to your request so that you can start enjoying the savings of roll replacement as soon as possible.

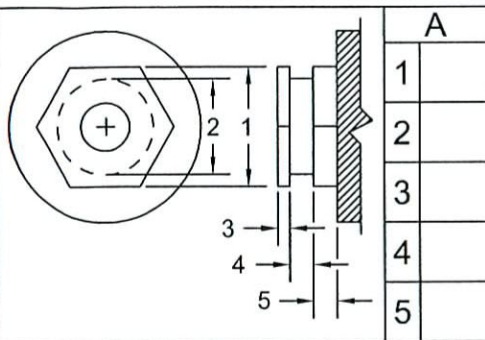
Chicago Vibrator Products
 1-800-842-7284 US & Canada
 1-630-920-9411 International
 1-630-920-1395 Fax

REPLACEMENT ROLL DATA SHEET

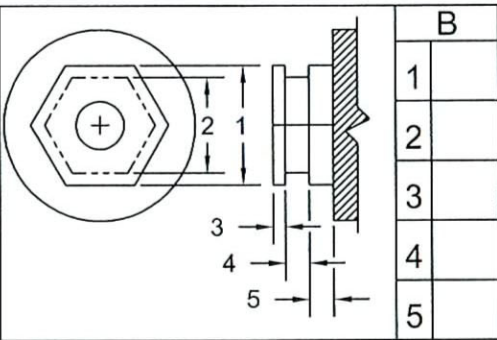


ROLLER DIMENSIONS

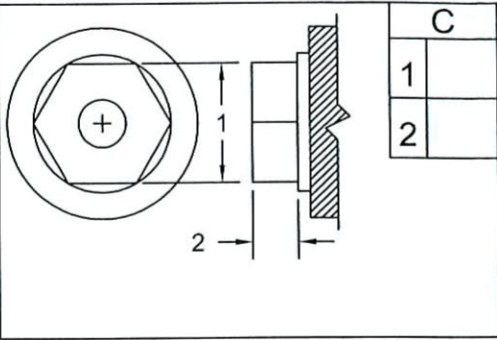
- 1-ROLLER DIAMETER
- 2-SHAFT DIAMETER
- 3-ROLLER LENGTH
- 4-SHAFT LENGTH



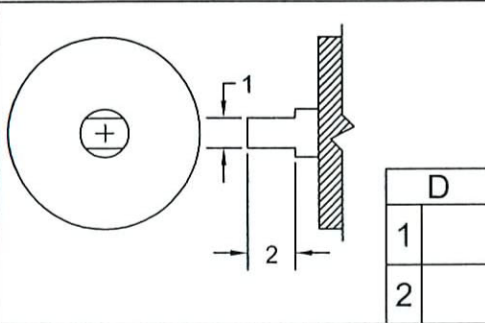
A	
1	
2	
3	
4	
5	



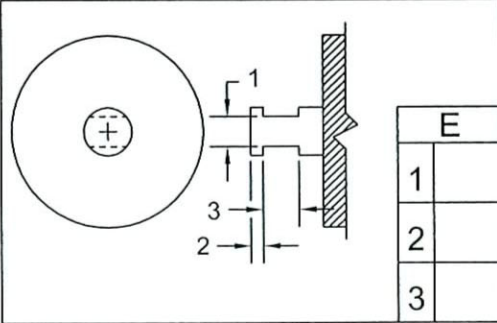
B	
1	
2	
3	
4	
5	



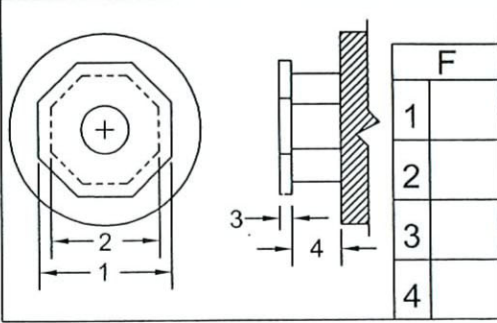
C	
1	
2	



D	
1	
2	



E	
1	
2	
3	



F	
1	
2	
3	
4	

DETAIL FULLY IF NOT OF ABOVE TYPES,
 NOTES:

QUANTITY	1-ROLLER DIAMETER	2-SHAFT DIAMETER	3-ROLLER LENGTH	4-SHAFT LENGTH	5-END TYPE	PART NUMBER	COMMENTS

						P.O. NUMBER	DATE