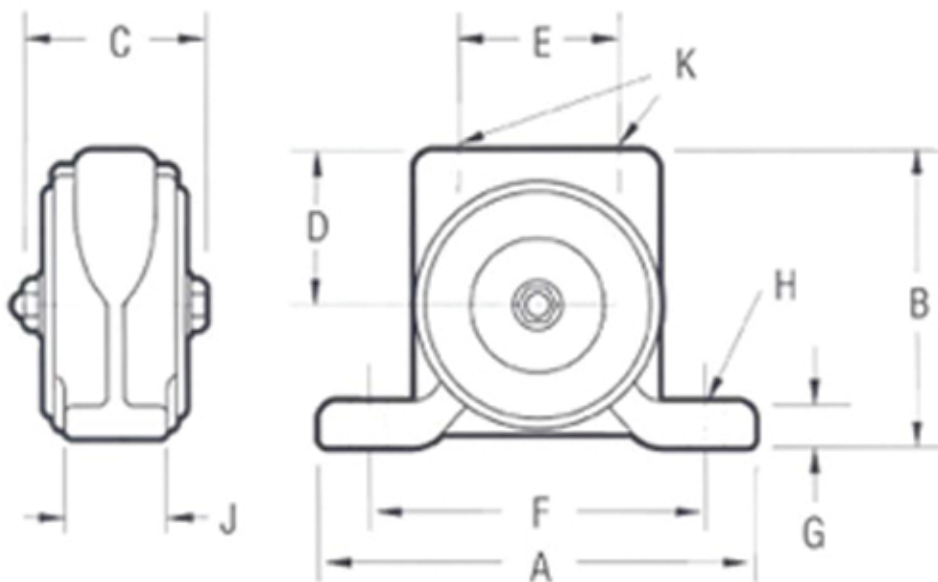


## VBC Series



Base mount (2 bolt) with top body inlet/exhaust ports (NPT) and rugged sealed construction. The Series is ideal for a wide range of applications.

PERFORMANCE DATA										
MODEL	FREQUENCY			OUTPUT FORCE			AIR CONSUMPTION			WEIGHT
	30 PSI VPM	60 PSI VPM	90 PSI VPM	30 PSI LBS	60 PSI LBS	90 PSI LBS	30 PSI CFM	60 PSI CFM	90 PSI CFM	
VBC-190	12000	18000	21800	132	289	440	5	13	17	2 lbs.



DIMENSIONS										
MODEL	A	B	C	D	E	F	G	H*	J	K**
VBC-190	5	3.75	1.69	1.87	1.78	4	0.37	0.38	0.94	1/4" NPT

\* Bolt Size

\*\* Pipe Tap Size

CHICAGO VIBRATOR PRODUCTS 1-800-842-7284 USA & CANADA  
1-800-920-9411 ALL OTHERS