

VE1-18 Electric Vibrator

The **VE1 - 1800 Electric Vibrator** combines the easiness of the 115 volts single phase with the high amplitude needed to convey and help the flow of large particles

Housing is made of aluminum alloy
Units are rated continuous duty even at 100% force output.
Bearings are larger for longer vibrator's life



Single-Phase

1800 RPM

PERFORMANCE DATA

MODEL	FORCE OUTPUT	UNBALANCE	HP	AMP DRAW 115 V	STARTUP CURRENT MULTIPLIER	CAPACITOR SIZE (115v)	FRAME	WEIGHT
	lbs	in -lbs	h.p.	Amps		Micro farad		lbs
VE1/18/ 150	174	1.54	0.15	1.08	3	25	1	14
VE1/18/ 450	450	5.1	0.23	1.8	3	45	2	27

FEATURES

The eccentric weights are easily adjustable so that force output can be varied on all models.

Low noise:
when fixed with a proper mounting to a rigid structure, noise never exceeds 70 dBA.

Low maintenance:
No lubrication - all models come with sealed bearings.

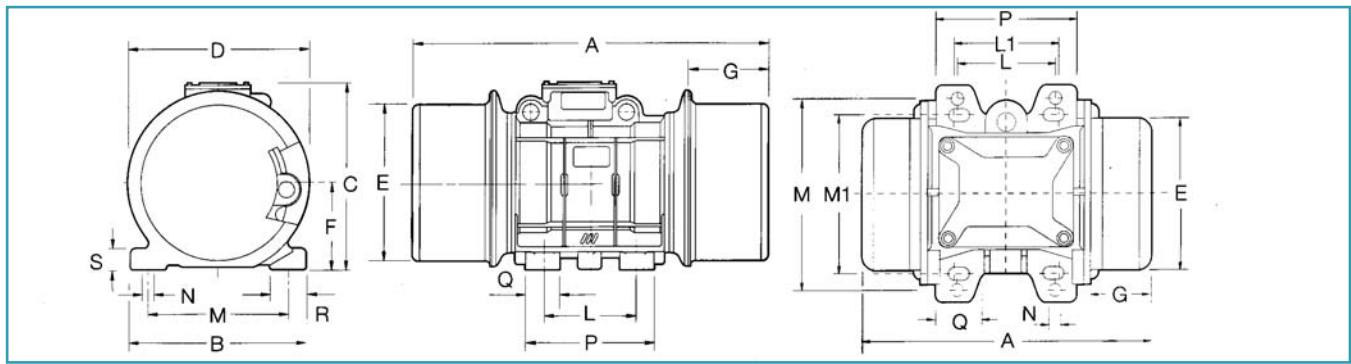
Lifting and safety eyebolts

Steel endcaps. Unlike aluminum endcaps, steel endcaps will not easily crack or leak. Stainless Steel end caps available upon request.

Multiple bolt hole pattern to make it interchangeable with most of the other brands.

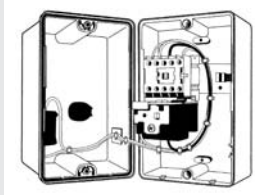
Quality control. Both electrical and mechanical components are subjected to strict tests. After assembly each electric vibrator is subject to severe electric and dynamic tests.





DIMENSIONS

MODEL	A	B	C	D	E	F	G	L	L1	M	M1	N	P	Q	R	S	BOLT HOLE NBR
VE1/18/150	9.06	5.91	5.71	5.12	4.13	2.36	2.17	2.76	2.44-2.91	5.12	4.17	0.35	3.9	1.18	1.38	0.39	4
VE1/18/450	11.73	6.54	7.28	6.30	5.12	2.95	2.72	3.54	3.54	4.92	5.51	0.51	4.72	1.18	1.57	0.47	4



CONTROL BOX

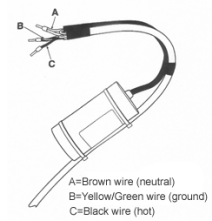
Electric vibrators require overload protection following National Electric Code specifications.

Powtek offers, as an option, a control box with ON/OFF switch and RESET push button.

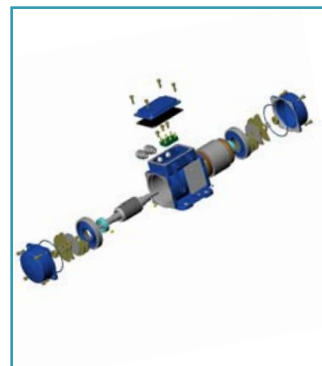


A timer option is also available

WIRE COLOR CODES



All models come standard with cable and capacitor




Chicago Vibrator Products
Flow and Compaction

642 NEWPORT AVENUE
 WESTMONT, IL 60559
 1-800-842-7284
 1-630-920-9411(local)
 WWW.CHICAGOVIBRATOR.COM
 solutions@chivib.com