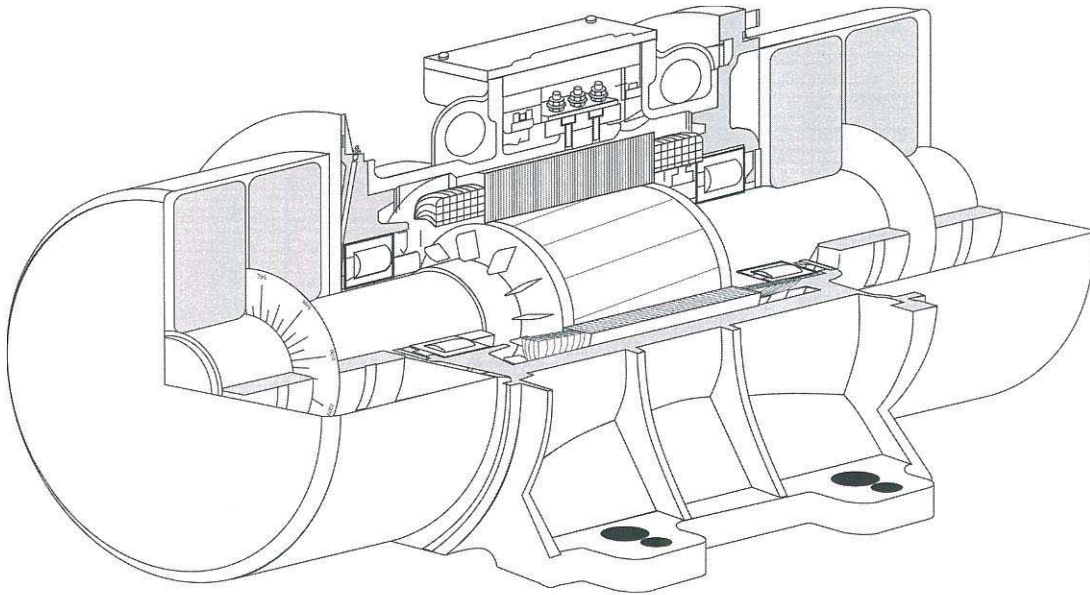


Vibratek VE Series Rotary Electric Vibrator

How it Works

The external vibrator is an asynchronous motor which has adjustable eccentric weights mounted on each end of the rotor shaft.

Shaft rotation generates centrifugal force which can be adjusted by changing the weight settings.



General Features

- Ductile cast iron housing.
- Lifting and safety eyebolts.
- Double grease fittings each bearing for longer life in vertical applications.
- Stator core laminations with low core energy loss reduce overheating of the motors.
- Mechanical Protection IP65-7.
- Insulation Class F.
- ASTM winding impregnation with top of the line resin Dolph's CC 1105 LV.
- Thermistor safety protection against overheating (for frame size 50 and higher).
- 0% to 100% force adjustment is available on all but our smallest model.
- Integrally cast terminal block housing.
- End caps with 6 bolts to maintain a more perfect seal with the O-rings.
- Steel endcaps. Unlike aluminum endcaps, job damaged steel will not easily crack, split or leak.
- Cable inlet is positioned so that cable is in-line with axis of motor, thus reducing cable flexing which can cause premature failure.