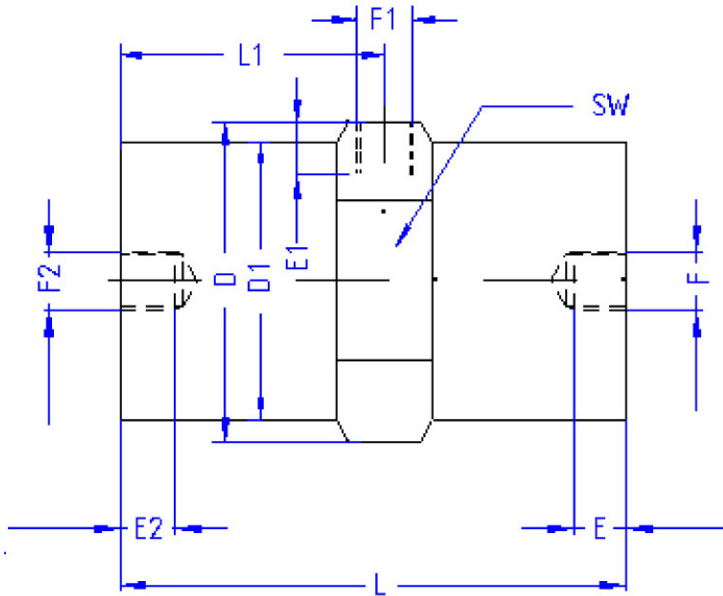


# VFPL Series No-Lube Piston Vibrator



- No lubrication needed
- Meets FDA guidelines
- Low noise levels
- Designed for the food and pharmaceutical applications



### Dimensions in mm:

Model	D	D1	L	L1	E	E1	E2
VFPL-12-M	37.0	31.0	81.0	40.5	11.0	7.0	11.0
VFPL-18-M	45.0	40.0	94.0	47.0	11.0	7.0	13.0
VFPL-25-M	53.5	48.0	116.0	60.5	11.0	7.0	15.0
VFPL-35-M	69.0	58.0	116.0	60.5	11.0	9.0	15.0

Model	F	F1	F2	SW	Housing kg	Piston kg	Total kg
VFPL-12-M	G1/8"	G1/8"	M8	34.0	0.140	0.030	0.170
VFPL-18-M	G1/8"	G1/8"	M10	42.0	0.260	0.080	0.340
VFPL-25-M	G1/4"	G1/8"	M12	50.0	0.435	0.215	0.650
VFPL-35-M	G1/4"	G1/4"	M12	65.0	0.610	0.430	1.040

### Performance:

Model	Frequency V.P.M. x 1000			Centrifugal force measured					
	2 Bar 29 PSI	4 Bar 58 PSI	6 Bar 87 PSI	2 Bar N	29 PSI LBS	4 Bar N	58 PSI LBS	6 Bar N	87 PSI LBS
VFPL-12-M	5.0	6.0	6.7	34	8	58	13	74	17
VFPL-18-M	4.0	5.0	5.9	68	15	134	30	188	42
VFPL-25-M	3.0	3.8	4.2	142	32	364	82	504	114
VFPL-35-M	3.0	4.0	4.6	248	56	778	175	1080	243

Model	Air consumption / Minute						Notice level	
	2 Bar Ltr.	29 PSI CF	4 Bar Ltr.	58 PSI CF	6 Bar Ltr.	87 PSI CF	dBA*	dBA**
VFPL-12-M	0.5	0.02	4	0.14	19	0.66	57-61	n/a
VFPL-18-M	4	0.14	28	1	52	1.8	61-67	n/a
VFPL-25-M	23	0.8	50	1.7	87	3	73-75	62-66
VFPL-35-M	24	0.83	83	2.9	141	4.9	74-78	70-73

**CHICAGO VIBRATOR PRODUCTS**  
 642 Newport Avenue  
 Westmont IL 60559  
 USA  
 1-800-842-7284 US & Canada  
 1-630-920-9411 International

\*with customary silencer

\*\*with 1/4" Free-Flow silencer

Data obtained with a Kistler 3-axis dynamometer on a heavy laboratory test block and displayed by Kistler control monitor (COMO). Frequency and force will decrease on a less rigid mount. Specifications subject to change without notice or obligation.