

CDX 36 EXPLOSION-PROOF ELECTRIC VIBRATOR SERIES

three-phase

| | | |
|---------|------|------|
| 2 poles | | |
| Hz | 50 | 60 |
| RPM | 3000 | 3600 |

| DESCRIPTION | | | | | | | | | | MECHANICAL FEATURES | | | | | | ELECTRICAL FEATURES | | | | OVERALL DIMENSIONS (inches) | | | | | | | | | | | | | |
|-------------|--------------|------------|-------|------|--------|----|-----------------------|-------|-----------------------|---------------------|------------|-------|-----------------|-------|---------------|---------------------|--------------|------|-------|-----------------------------|-------|------|-------|-------------|-------------|------|------|------|-------|------|-------|----|----|
| Part Number | Model | Frame Size | cULus | ULus | Ex G.D | PC | Static Moment* in-lbs | | Centrifugal Force lbs | | Weight lbs | | Power Output HP | | Max Current A | | Model | Type | A | B | C | D | E | Foot holes | | F | H | I | L | M | N | | |
| | | | | | | | 50 Hz | 60 Hz | 50 Hz | 60 Hz | 50 Hz | 60 Hz | 50 Hz | 60 Hz | 50 Hz | 60 Hz | | | | | | | | 400 V 50 Hz | 460 V 60 Hz | | | | | | | øG | N° |
| 600384 | CDX 36-650 | 10 | • | | | | 2.6 | 1.8 | 669 | 653 | 25.3 | 24.2 | 0.24 | 0.25 | 0.60 | 0.50 | CDX 36-650 | U | 10.04 | 7.52 | 5.98 | 3.54 | 4.92 | 0.51 | 4 | 1.10 | 3.05 | 2.13 | 5.12 | 5.04 | 5.91 | | |
| 600385 | CDX 36-1040 | 20 | • | | | | 4.3 | 2.8 | 1107 | 1036 | 37.4 | 35.2 | 0.44 | 0.52 | 0.80 | 0.75 | CDX 36-1040 | U | 11.34 | 8.58 | 6.57 | 4.13 | 5.51 | 0.51 | 4 | 1.18 | 3.54 | 2.56 | 5.91 | 5.51 | 6.89 | | |
| 600387 | CDX 36-1660 | 30 | • | | | | 6.8 | 4.5 | 1727 | 1659 | 51.3 | 49.3 | 0.67 | 0.70 | 1.10 | 1.00 | CDX 36-1660 | U | 12.36 | 9.07 | 8.07 | 4.72 | 6.69 | 0.67 | 4 | 1.77 | 4.02 | 2.60 | 6.97 | 6.38 | 7.87 | | |
| 600389 | CDX 36-2530 | 35 | • | • | • | | 9.6 | 6.3 | 2431 | 2334 | 74.8 | 72.6 | 0.64 | 0.74 | 0.90 | 0.93 | CDX 36-2530 | U | 14.25 | 9.78 | 8.27 | 4.72 | 6.69 | 0.67 | 4 | 2.05 | 4.41 | 2.99 | 7.56 | 6.30 | 8.58 | | |
| 600437 | CDX 36-3530 | 40 | • | • | • | | 14.0 | 9.7 | 3575 | 3524 | 123 | 118 | 1.1 | 1.2 | 1.62 | 1.72 | CDX 36-3530 | U | 18.43 | 10.96 | 9.25 | 5.51 | 7.48 | 0.67 | 4 | 2.56 | 4.57 | 4.25 | 8.27 | 7.28 | 8.86 | | |
| 600317 | CDX 36-4600 | 50 | • | • | • | | 18.2 | 12.5 | 4651 | 4576 | 136 | 134 | 1.2 | 1.5 | 1.71 | 1.85 | CDX 36-4600 | U | 20.47 | 10.96 | 9.25 | 5.51 | 7.48 | 0.87 | 4 | 2.56 | 4.57 | 5.28 | 8.27 | 7.28 | 8.86 | | |
| 600320 | CDX 36-5060 | 60 | • | • | • | | 19.3 | 13.8 | 4919 | 5060 | 182 | 175 | 2.0 | 2.2 | 3.23 | 3.20 | CDX 36-5060 | U | 22.52 | 12.28 | 10.63 | 6.10 | 8.86 | 0.87 | 4 | 2.05 | 5.31 | 5.75 | 9.39 | 7.87 | 9.96 | | |
| 600323 | CDX 36-7040 | 70 | • | • | • | | 29.9 | 18.7 | 7605 | 6846 | 238 | 229 | 3.4 | 3.4 | 5.23 | 5.00 | CDX 36-7040 | U | 23.39 | 13.48 | 12.20 | 6.10 | 10.04 | 0.93 | 4 | 2.56 | 6.10 | 5.39 | 10.98 | 8.27 | 11.61 | | |
| 600486 | CDX 36-10500 | 80 | • | • | • | | 40.8 | 28.6 | 10362 | 10472 | 317 | 306 | 4.9 | 4.9 | 7.13 | 6.60 | CDX 36-10500 | U | 24.80 | 14.45 | 13.19 | 7.09 | 11.02 | 1.02 | 4 | 2.76 | 6.89 | 5.91 | 11.93 | 9.25 | 12.60 | | |

* Working Moment = 2 x Static Moment. Static Moment = Unbalance.
For 230 V, 60 Hz amperage, double the 460 V, 60 Hz amperage.

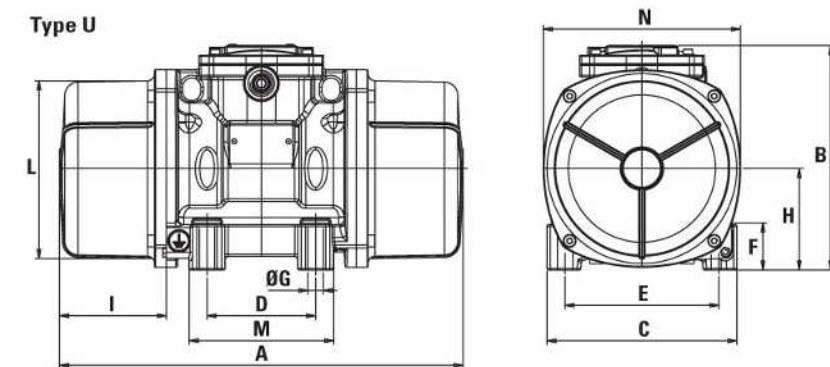
Several sizes are available with different mounting bolt patterns. Please contact sales office at Italvibras.

single-phase

| DESCRIPTION | | | | | | | | | | MECHANICAL FEATURES | | | | | | ELECTRICAL FEATURES | | | | OVERALL DIMENSIONS (inches) | | | | | | | | | | | | | |
|-------------|-------------|------------|-------|------|--------|----|-----------------------|-------|-----------------------|---------------------|------------|-------|-----------------|-------|---------------|---------------------|-------------|------|-------|-----------------------------|------|------|------|-------------|-------------|------|------|------|------|------|------|----------------|----|
| Part Number | Model | Frame Size | cULus | ULus | Ex G.D | PC | Static Moment* in-lbs | | Centrifugal Force lbs | | Weight lbs | | Power Output HP | | Max Current A | | Model | Type | A | B | C | D | E | Foot holes | | F | H | I | L | M | N | Capacitor (µF) | |
| | | | | | | | 50 Hz | 60 Hz | 50 Hz | 60 Hz | 50 Hz | 60 Hz | 50 Hz | 60 Hz | 50 Hz | 60 Hz | | | | | | | | 400 V 50 Hz | 460 V 60 Hz | | | | | | | øG | N° |
| 600384 | CDX 36-650 | 10 | • | | | | 2.6 | 1.8 | 669 | 653 | 25.3 | 24.2 | 0.24 | 0.27 | 1.25 | 2.40 | CDX 36-650 | U | 10.04 | 7.52 | 5.98 | 3.54 | 4.92 | 0.51 | 4 | 1.10 | 3.05 | 2.13 | 5.12 | 5.04 | 5.91 | 16 | 25 |
| 600385 | CDX 36-1040 | 20 | • | | | | 4.3 | 2.8 | 1107 | 1036 | 37.4 | 35.2 | 0.46 | 0.47 | 2.30 | 4.50 | CDX 36-1040 | U | 11.34 | 8.58 | 6.57 | 4.13 | 5.51 | 0.51 | 4 | 1.18 | 3.54 | 2.56 | 5.91 | 5.51 | 6.89 | 12.5 | 50 |
| 600387 | CDX 36-1660 | 30 | • | | | | 6.8 | 4.5 | 1727 | 1659 | 51.3 | 49.3 | 0.60 | 0.67 | 3.25 | 7.00 | CDX 36-1660 | U | 12.36 | 9.07 | 8.07 | 4.72 | 6.69 | 0.67 | 4 | 1.77 | 4.02 | 2.60 | 6.97 | 6.38 | 7.87 | 25 | 90 |

* Working Moment = 2 x Static Moment. Static Moment = Unbalance.

CHICAGO VIBRATOR PRODUCTS
WESTMONT, IL 60559
800-842-7284 US & CANADA
630-920-9411 INTERNATIONAL
www.ChicagoVibrator.com
solutions@chivib.com



- Class I, Groups C and D, Class II, Groups E, F and G. Temperature Class T4 (135°C). File No. E129825.
- Class I, Groups C and D, Class II, Groups E, F and G. Temperature Class T4 (135°C). File No. LR100948.
- Product approved for European Directive 94/9/EC: ATEX II2GD, Ex d IIB 120°C, tD A21 IP66 120°C. EN 60079-0, EN 60079-1, EN 61241-0, EN 61241-1. Certificate No. DEMKO 07 ATEX 0612032X.
- Product approved for IECEx Scheme: Ex d IIB 120°C, tD A21 IP66 120°C. IEC 60079-0, IEC 60079-1, IEC 61241-0, IEC 61241-1. Certificate No. IECEx UL 09.0034X.
- GOST-R certificate and GGTN permit for Ex d explosion proof electric vibrators. Compliance with GOST R 51330.0-99, GOST R 51330.1-99, GOST-R IEC 61241-1-1-99. Certificate No. POCC IT.Г504.В01164