

# MVSI 36 ELECTRIC VIBRATOR SERIES

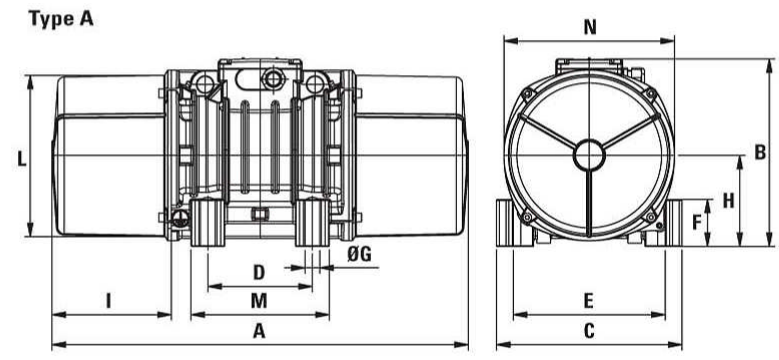
single-phase

2 poles		
Hz	50	60
RPM	3000	3600



DESCRIPTION						MECHANICAL FEATURES						ELECTRICAL FEATURES				OVERALL DIMENSIONS (inches)																	
Part Number	Model	Design	Frame Size	SB*	II2D Temp. Class	Static Moment* in-lbs		Centrifugal Force lbs		Weight lbs		Power Output HP		Max Current A		Model	Design	Type	A	B	C	D	E	Foot holes				Capacitor (µF)					
						50 Hz	60 Hz	50 Hz	60 Hz	50 Hz	60 Hz	50 Hz	60 Hz	400 V 50 Hz	460 V 60 Hz									øG	N°	F	H	I	L	M	N	220 V 50 Hz	115 V 60 Hz
600311	MVSI 36-380	S02	00	•	120°C	1.0	1.0	266	383	12.3	12.3	0.15	0.15	0.75	1.52	MVSI 36-380	S02	A	8.31	6.02	4.92	2.44-2.91**	4.17	0.35	4	0.94	2.40	1.81	4.06	3.94	4.61	10	28
600312	MVSI 36-480	S02	01	•	120°C	1.8	1.3	464	480	14.1	13.6	0.15	0.15	0.75	1.52	MVSI 36-480	S02	A	9.25	6.02	4.92	2.44-2.91**	4.17	0.35	4	0.94	2.40	2.28	4.06	3.94	4.61	10	28
600313	MVSI 36-660	S02	10	•	120°C	2.6	1.8	669	653	21.3	20.2	0.24	0.27	1.25	2.40	MVSI 36-660	S02	A	10.04	7.05	5.98	3.54	4.92	0.51	4	1.10	2.87	2.13	5.00	5.04	5.55	16	25
600314	MVSI 36-1050	S02	20	•	120°C	4.3	2.8	1107	1036	32.6	30.4	0.46	0.48	2.30	4.50	MVSI 36-1050	S02	A	11.34	7.99	6.57	4.13	5.51	0.51	4	1.18	3.25	2.56	5.71	5.51	6.30	12.5	50
600366	MVSI 36-1500	S02	20	•	120°C	6.3	-	1615	-	33.2	-	0.46	-	2.30	-	MVSI 36-1500	S02	A	11.34	7.99	6.57	4.13	5.51	0.51	4	1.18	3.25	2.56	5.71	5.51	6.30	12.5	-
600381	MVSI 36-1680	S02	30	•	120°C	6.8	4.5	1727	1659	46.2	44.0	0.60	0.68	3.25	7.00	MVSI 36-1680	S02	A	12.13	8.50	8.07	4.72	6.69	0.67	4	1.77	3.68	2.48	6.69	6.30	7.17	25	90

-  CSA Approval for Class I, Division 2, Groups A, B, C and D hazardous locations. Available upon request.
-  Product approved for European Directive 94/9/EC (EN 61241-0, EN 61241-1): ATEX II2D, tD A21 IP66 (temperature class detailed in table).
-  All listed products are in compliance with GOST R 51330.0-99, GOST R 51330.1, GOST R 51330.8-99, GOST R IEC 61241-1-1-99.
-  Product approved for IECEx Scheme following IEC 61241-0, 61241-1: II2D, tD A21 IP66 (Temperature class detailed in table).
-  In compliance with all applicable European Directives.



**CHICAGO VIBRATOR PRODUCTS**  
**WESTMONT, IL 60559**  
**800-842-7284**  
**630-920-9411**  
**solutions@chivib.com**  
**www.ChicagoVibrator.com**