

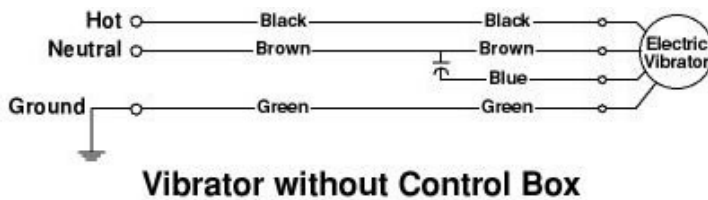
# SINGLE PHASE

## CONTROL BOXES FOR SINGLE PHASE ELECTRIC VIBRATORS

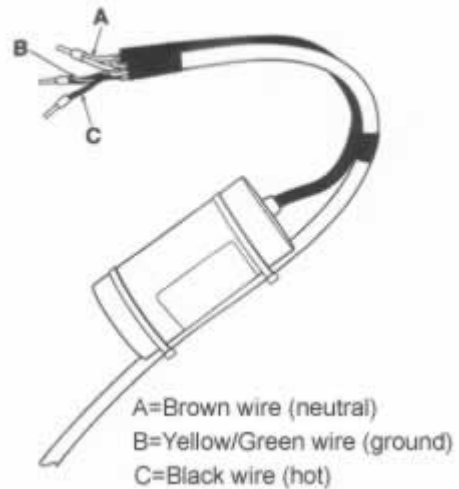


### OPTION 1 = VIBRATOR WITH NO BOX

Standard vibrators come with 3' cable and a capacitor



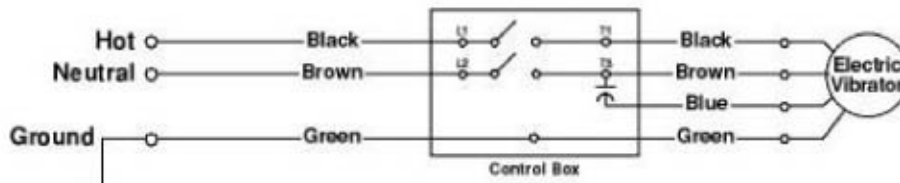
### WIRE COLOR CODES



### OPTION 2 = VIBRATOR WITH CONTROL BOX

Control Box comes standard with:

1. On-Off push button
2. Reset push button
3. Thermal overload
4. Capacitor
5. Plastic box rated for outside applications(NEMA 4)
6. Complete wiring connections between vibrator, box and power supply.



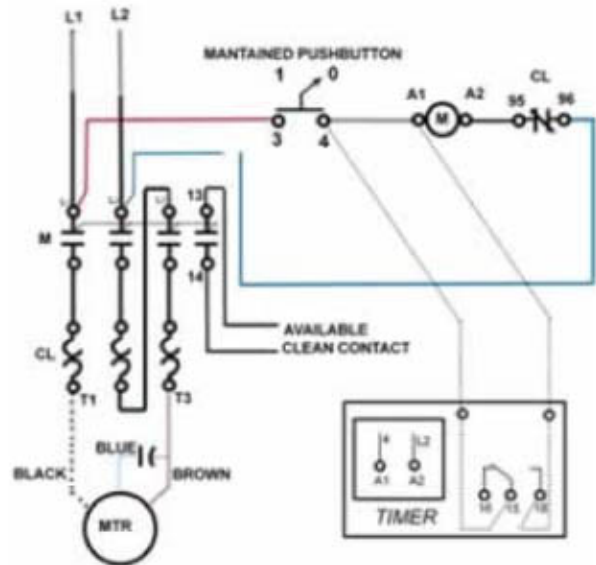
**Vibrator with Control Box**

**TIMER**

In order to ease the stress on the bin's welds sometimes the usage of a timer is recommended.

The Powtek Timer can be programmed to match all possible time combinations.

- T 1** means time ON
- T 2** means time OFF
- Black Knob** sets time range
- Red Knob** fine tunes exact time



[BACK TO MAIN PAGE](#)

[BACK TO PART LIST](#)

CHICAGO VIBRATOR PRODUCTS  
 642 NEWPORT AVE  
 WESTMONT, IL 60559  
 1-800-842-7284  
 1-630-920-9411  
 WWW.CHICAGO VIBRATOR.COM  
 solutions@chivib.com