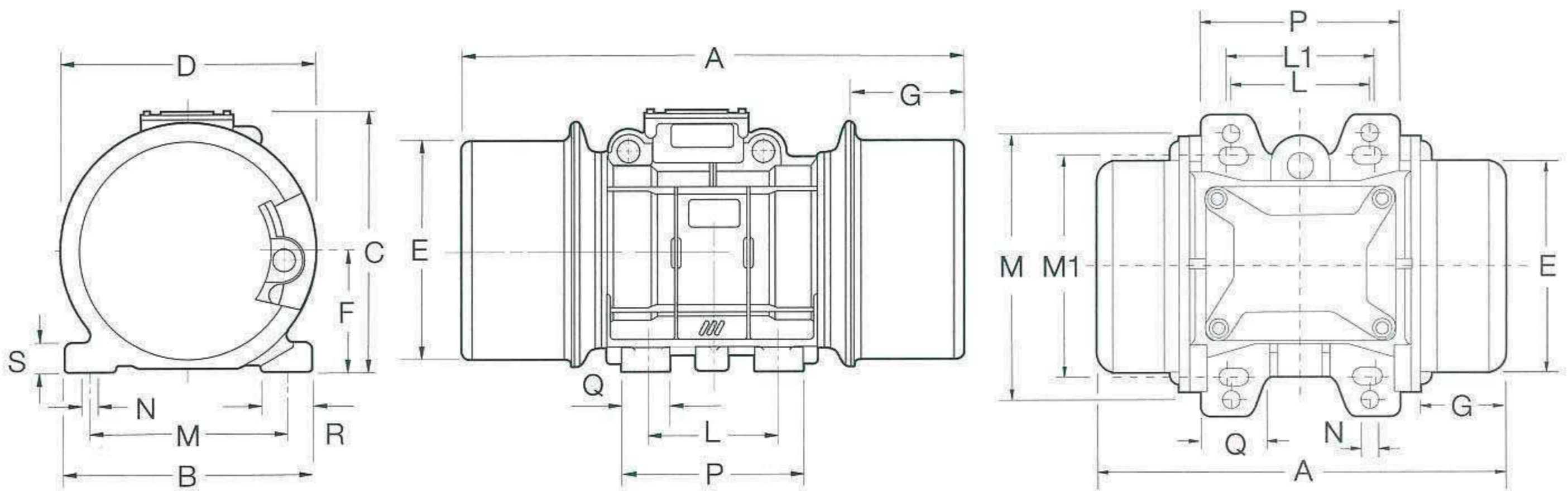


# VE1/36

# 3600 RPM Single-Phase



PERFORMANCE DATA						
MODEL	FORCE OUTPUT	UN-BALANCE	POWER OUTPUT	AMP DRAW 115V	STARTUP CURRENT MULTIPLIER	WEIGHT
	lbs	in-lbs	hp	Amps		lbs
VE1/36/130	130	0.71	0.11	1.03	1.5	9.3
VE1/36/240	243	1.31	0.13	1.30	1.55	10.1
VE1/36/400	396	1.08	0.24	1.48	2.2	10.5
VE1/36/700	712	1.9	0.36	3.48	3.5	22
VE1/36/1050	1511	4.4	0.60	4.5	2.8	42
VE1/36/1650	1815	5.3	0.87	6.3	2.8	61



DIMENSIONS																		
MODEL	A	B	C	D	E	F	G	L	L1	M	M1	N	P	Q	R	S	BOLT HOLE NBR	BOLT HOLE FRAME
VE1/36/120	8.34	5.12	5.35	3.7	3.39	1.89	1.81		2.44-2.91	5.12	4.17	0.35	3.9	1.18	1.37	0.39	4	10
VE1/36/240	8.34	5.12	5.35	3.7	3.39	1.89	1.81	2.75	2.44-2.91	5.12	4.17	0.35	3.9	1.18	1.37	0.39	4	10
VE1/36/400	8.34	5.9	5.7	4.45	4.13	2.36	1.81	2.75	2.44-2.91	5.12	4.17	0.35	3.9	1.18	1.37	0.39	4	1
VE1/36/700	10.24	6.1	6.97	5.67	5.20	3.15	1.69	3.54	3.54	4.92	5.51	0.51	4.72	1.18	1.57	0.47	4	30
VE1/36/1050	11.34	7.48	8.07	7.36	5.94	3.35	2.13	4.13		5.51		0.51	5.35	1.30	1.57	0.63	4	3
VE1/36/1650	13.98	8.27	9.29	8.50	7.13	3.98	2.80	4.72		6.70		0.67	6.30	1.57	1.69	0.79	4	4-A