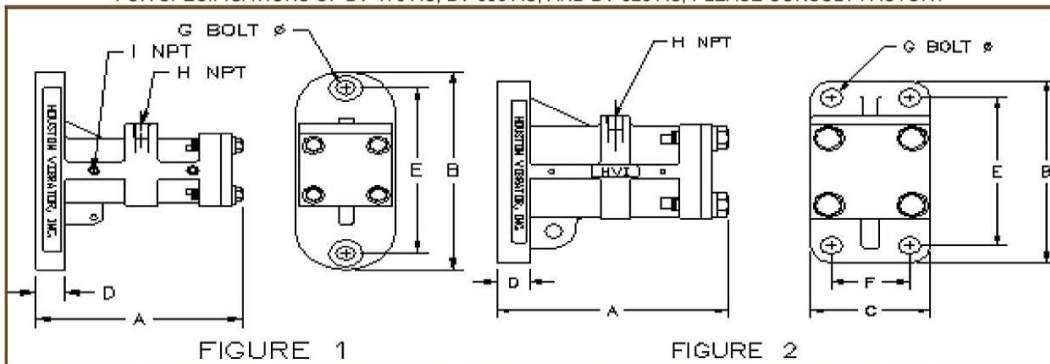


BV Air Cushioned Series Piston Vibrator

MODEL	Frequency (VPM)				Force (LBS)				Air Consumption (CFM)				Db
	20 psi	40 psi	60 psi	80 psi	20 psi	40 psi	60 psi	80 psi	20 psi	40 psi	60 psi	80 psi	
BV-112-AC		3850	4100	4900		53	60	85		2.3	2.9	2.5	83.5
BV-150-AC	2000	2400	2700	3000	50	72	91	112	1.8	3.4	3.8	4.1	82.5
BV-225-AC	1500	1850	2150	2400	80	122	164	205	3	4.8	5.8	7	91
BV-312-AC	1100	1370	1550	1825	166	257	329	456	4.4	7.6	10.2	13	86.5
BV-350-AC	1100	1400	2350	2450	203	334	927	1008	13.75	14	14	14	94
BV-425-AC	1130	1410	1690	1940	486	757	1087	1433	4.8	8	11	14	94

FOR SPECIFICATIONS OF BV-175 AC, BV-650 AC, AND BV-825 AC, PLEASE CONSULT FACTORY



MODEL	FIGURE	A	B	C	D	E	F	G	H	I	WT. Lbs
BV-112	1	3.75	4.50	2.00	.50	3.50	1.00	.50	1/4		4
BV-150	1	5.50	6.00	2.50	.75	4.50	1.25	.50	1/4	1/8	9
BV-225	1	7.25	9.00	3.50	1.00	7.50	1.75	.62	1/4	1/8	21
BV-312	2	9.62	9.50	5.00	1.50	7.75	3.25	.88	3/8		53
BV-425	2	12.00	14.00	6.00	1.50	12.00	4.00	1.00	1/2		98

CHICAGO VIBRATOR PRODUCTS
 Division of CVP Group, Inc.
 Westmont, IL 60559
www.chicagovibrator.com
 800-842-7284
 866-247-7538 (F)
solutions@chivib.com