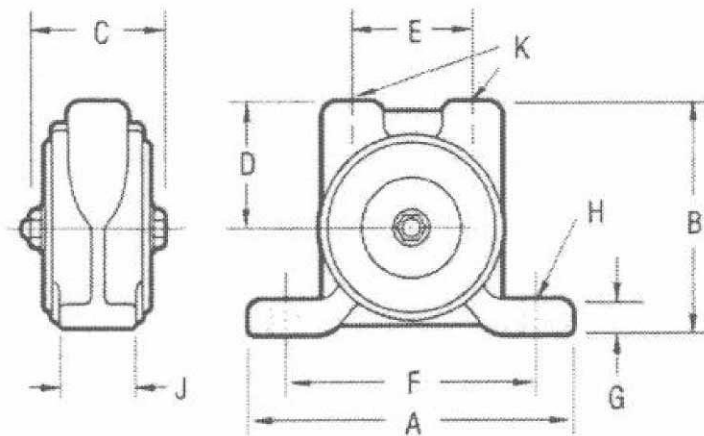


# Product Data Sheet

## VRM Roller Vibrators

### PERFORMANCE DATA

MODEL	UNBALANCE LBS. INCH	FREQUENCY			OUTPUT FORCE			AIR CONSUMPTION			WGT LBS
		30 PSI	60 PSI	90 PSI	30 PSI	60 PSI	90 PSI	30 PSI	60 PSI	90 PSI	
		VPM	VPM	VPM	LBS	LBS	LBS	CFM	CFM	CFM	
VRM-005	0.05	9500	15000	22000	131	299	583	4	10	15	3.0
VRM-050	0.50	6500	10000	12000	670	1421	1691	12	21	31	11
VRM-200	2.00	5000	6000	8000	1400	2150	3008	28	46	65	26
VRM-080	0.08	8000	11000	13000	1550	2500	3240	35	46	56	23



### DIMENSIONS

MODEL	A	B	C	D	E	F	G	H *	J	K **
VRM-005	5.00	3.38	1.94	1.88	1.78	4.00	0.38	0.38	0.9	1/4" NPT
VRM-050	7.75	5.19	4.06	2.88	2.91	6.00	0.56	0.63	1.9	3/8" NPT
VRM-200	10.00	6.88	4.00	3.75	4.05	8.00	0.75	0.75	2.8	3/4" NPT
VRM-080	10.00	6.88	4.00	3.75	4.05	8.00	0.75	0.75	2.8	3/4" NPT

**CHICAGO VIBRATOR PRODUCTS**  
 WESTMONT, IL 60559  
 800-842-7284  
 630-920-9411  
[www.ChicagoVibrator.com](http://www.ChicagoVibrator.com)  
[solutions@chivib.com](mailto:solutions@chivib.com)