

VTC Series Vac-Mounts



VTC Series Vac Mounts

VTC Series Vac Mounts allow quick temporary mounting of pneumatic vibrators to a variety of flat or curved mounting surfaces, including rigid cardboard cartons, metal drums, trailers, railcars, ingredient bins, and other containers where weld-on or clamp-on vibrator mounts are not ideal or are prohibited.

A total of 8 VTC Series Vac Mount models combine with numerous vibrator types and models, providing options to suit a wide variety of applications.

Vibrators and air-prep components are sold separately. Air-prep components will vary depending on the vibrator model used.

Standard Features & Benefits

- Mounts are pre-plumbed with supply lines and control valve
- Stout construction stands up to heavy use
- Integral safety cables
- Easy replacement of wear parts
- Quick to attach and remove from almost any surface

Available Accessories

- Mounting Hardware Kits
- Airline Lubricators, Filters, and Pressure Regulators
- Spare Suction Cups
- Pre-Assembly of Vibrator + VTC Mount

Portable Mounts for Pneumatic Vibrators

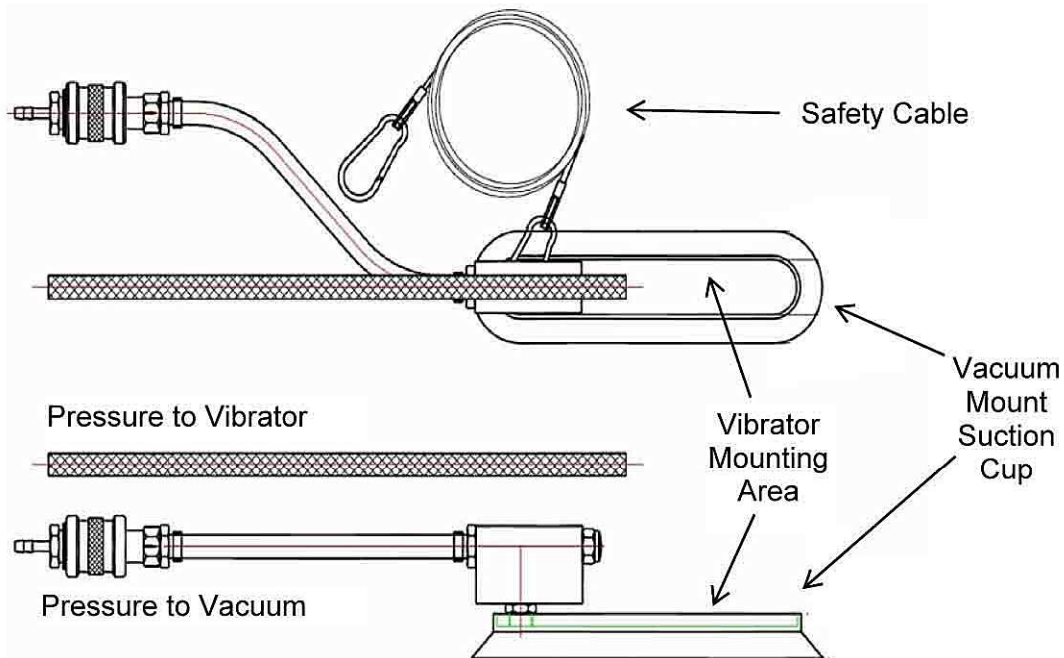
CHICAGO VIBRATOR PRODUCTS
Division of CVP Group, Inc.
Westmont, IL 60559
www.chicagovibrator.com
800-842-7284
866-247-7538 (F)
solutions@chivib.com

VTC Series Technical Data

Compatible Vibrators & Vessel Sizes

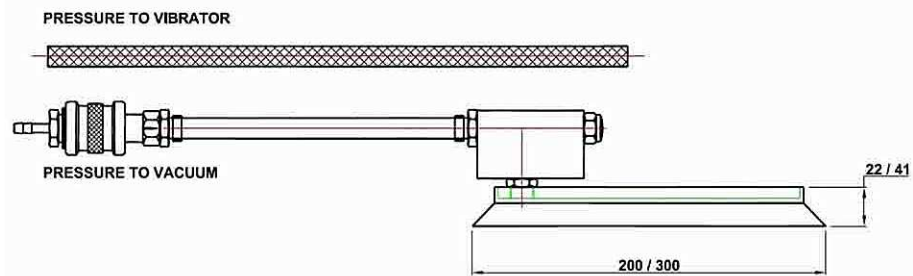
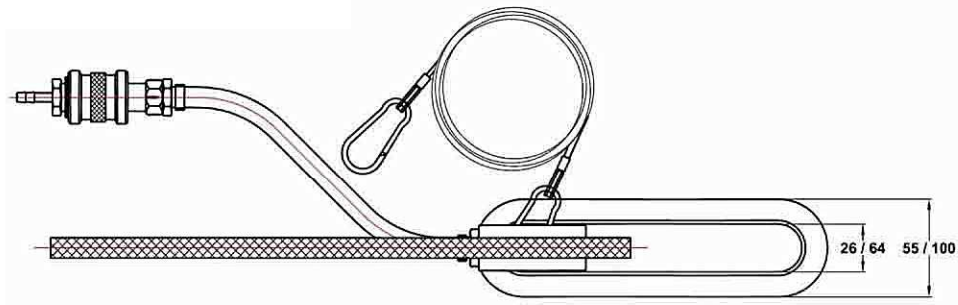
Model	Head Diameter		Air Consump.		Min Vessel Dia.		Weight	
	Rotary	Linear	CFM	L/min	in	mm	Lbs	Kgs
VTC-10S	GT4-10, GT-10SS K-8-10, DAR-2, R-50	FP12-18, FPLF12-18 FAL-18, VTL155-165	2.79	79	4.33	110	3.3	1.5
VTC-12S	GT8-25, GT16-25SS K8-25, DAR2-4, R50-80	FP25-35, FPLF25-35	2.79	79	13.78	350	6.6	3.0
VTC-15S	GT10-16, GT-16SS K8-16, DAR2-3, R50-65	FP12-35, FPLF12-35, VTL155-255, FAL18-25	2.79	79	29.92	760	5.5	2.5
VTC-15D	GT20-30, GT-25SS K20-36, DAR4, R-80	FP25-50, FPLF25-50, VFP75/01, VFP50/01, BV-150AC/BV-150IMP	5.58	158	29.92	760	9.9	4.5
VTC-20S	GT20-25, GT-25SS K20-25, R80	FP50-60, FPLF50-60 FAL35, VFP54/02	2.79	79	33.86	860	8.8	4.0
VTC-20D	GT30-36 DAR5, R100	FP60-95, FPLF60-95 BV-225AC/BV-225IMP	5.58	158	33.86	860	18.7	8.5
VTC-20T	-	VFP50/10	8.37	237	181.10	4600	39.7	18.0
VTC-20L	-	BV-312AC/BV-312IMP	8.37	237	33.86	860	35.3	16.0

General Arrangement (Sizes vary, please see additional pages)

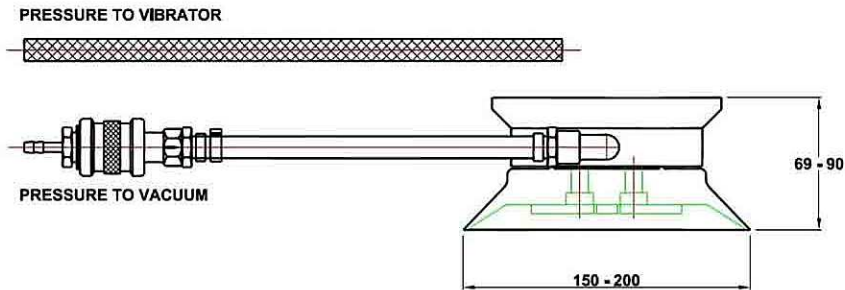
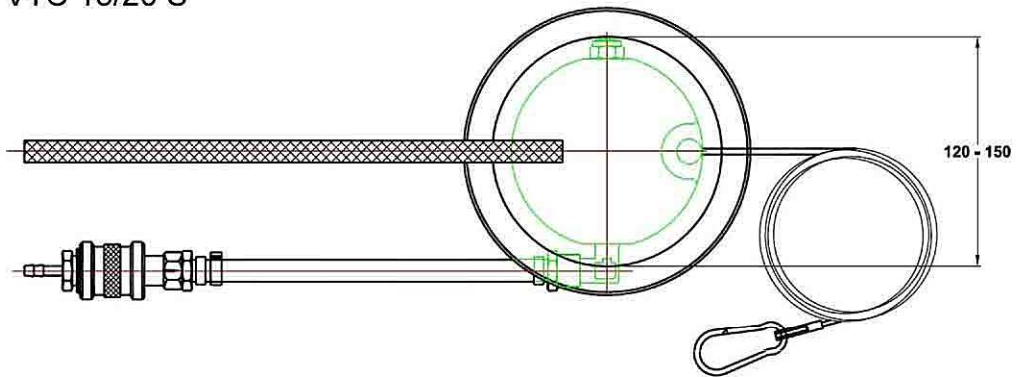


VTC Series Dimensions

VTC 10/12 S

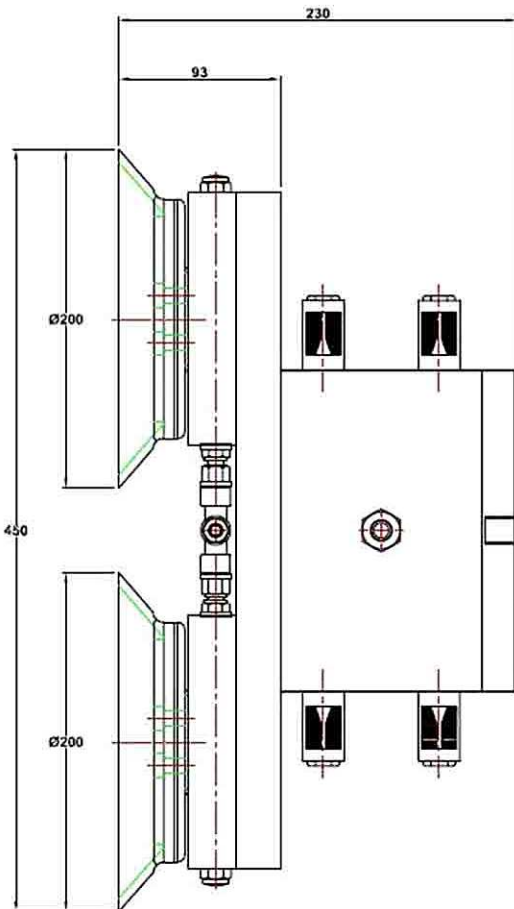
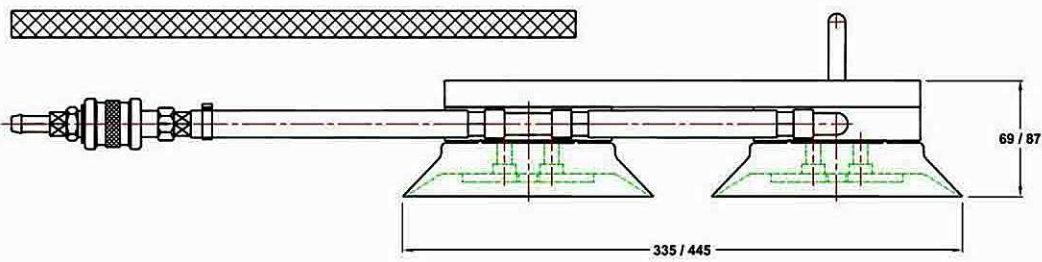
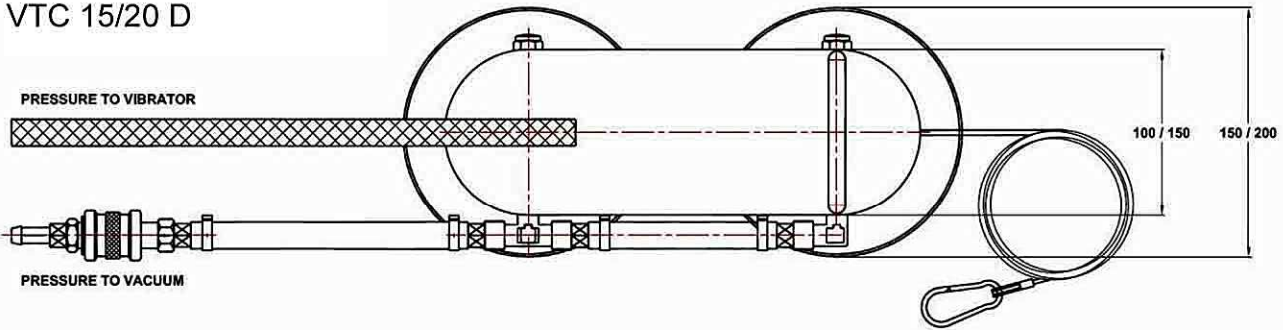


VTC 15/20 S



VTC Series Dimensions

VTC 15/20 D



VTC 20 T

